



SUBMITTAL

**TYPE: CUSTOM ASME STORAGE TANK
REFERENCE CHART
MODELS: 24SA4 THRU 72SA24**

Date: July, 2020

ASME STORAGE TANK DATA

All dimensions for reference only

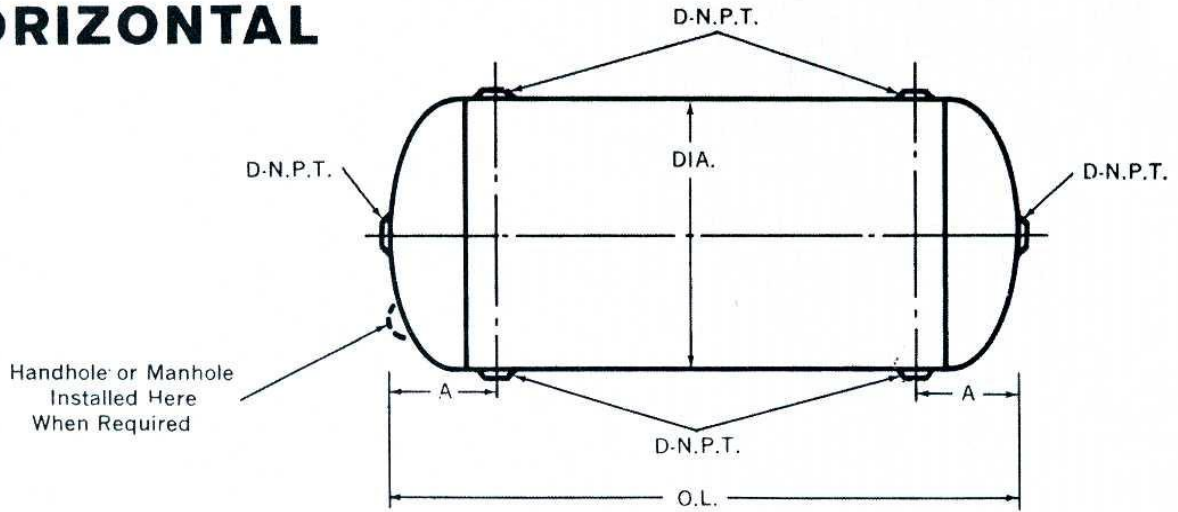
PART NO. ASME	NOMINAL GALLONS	ACTUAL GALLONS	SIZES AND DIMENSIONS (INCHES)					
			DIAMETER	OAL	A	B	C	D
24SA4	94	84	24	48	12	7	18	1 ½
24SA5	118	108	24	60	12	7	18	1 ½
24SA6	141	131	24	72	12	7	18	1 ½
24SA8	188	178	24	96	12	7	18	1 ½
24SA10	235	225	24	120	12	7	18	1 ½
30SA4	147	133	30	48	13	7	24	1 ½
30SA5	184	170	30	60	13	7	24	1 ½
30SA6	220	206	30	72	13	7	24	1 ½
30SA7	257	243	30	84	13	7	24	1 ½
30SA8	294	280	30	96	13	7	24	1 ½
30SA10	367	353	30	120	13	7	24	1 ½
36SA5	265	243	36	60	14	7	30	2
36SA6	318	296	36	72	14	7	30	2
36SA7	370	348	36	84	14	7	30	2
36SA8	423	401	36	96	14	7	30	2
36SA10	529	507	36	120	14	7	30	2
42SA6	432	390	42	72	18	7	36	2
42SA7	504	462	42	84	18	7	36	2
42SA8	576	534	42	96	18	7	36	2
42SA10	720	678	42	120	18	7	36	2
42SA12	864	822	42	144	18	7	36	2
42SA14	1008	966	42	168	18	7	36	2
42SA16	1152	1110	42	192	18	7	36	2
48SA7	658	595	48	84	18	9	42	2 ½
48SA8	752	689	48	96	18	9	42	2 ½
48SA10	940	877	48	120	18	9	42	2 ½
48SA12	1128	1065	48	144	18	9	42	2 ½
48SA14	1315	1252	48	168	18	9	42	2 ½
48SA16	1503	1440	48	192	18	9	42	2 ½
48SA20	1879	1816	48	240	18	9	42	2 ½
54SA8	951	881	54	96	18	9	48	2 ½
54SA10	1189	1119	54	120	18	9	48	2 ½
54SA12	1427	1357	54	144	18	9	48	2 ½
54SA14	1665	1595	54	168	18	9	48	2 ½
54SA16	1903	1833	54	192	18	9	48	2 ½
54SA18	2141	2071	54	216	18	9	48	2 ½
54SA20	2378	2308	54	240	18	9	48	2 ½
60SA10	1469	1373	60	120	18	9	54	3
60SA12	1763	1667	60	144	18	9	54	3
60SA14	2056	1960	60	168	18	9	54	3
60SA16	2350	2254	60	192	18	9	54	3
60SA18	2644	2548	60	216	18	9	54	3
60SA20	2938	2842	60	240	18	9	54	3
72SA10	2115	1974	72	120	24	9	66	3
72SA12	2538	2397	72	144	24	9	66	3
72SA14	2961	2820	72	168	24	9	66	3
72SA16	3384	3243	72	192	24	9	66	3
72SA18	3807	3666	72	216	24	9	66	3
72SA20	4230	4089	72	240	24	9	66	3
72SA24	5076	4935	72	288	24	9	66	3

Specification subject to change without notice.

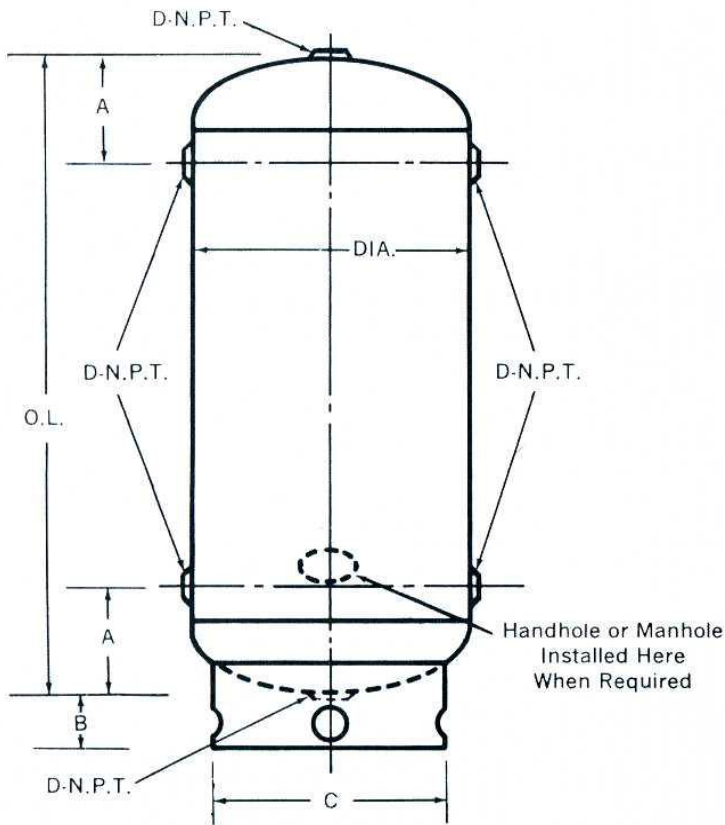
25110 THOMAS DR • WARREN, MI 48091 • (586) 427-7700 • (586) 427-7895 FAX • www.aatanks.com



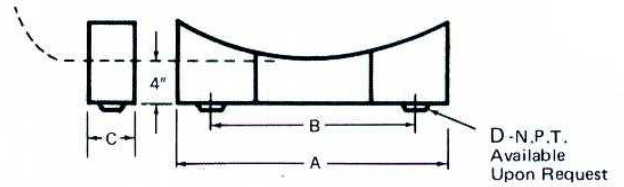
HORIZONTAL



VERTICAL

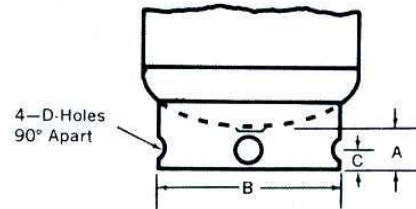


TANK SADDLE DATA



TANK DIAMETER		24	30	36	42	48	54	60	72
A		17	21	25	29	34	38	42	50
B		13	17	21	24	29	33	37	45
C		4	5	5	6	6	6	6	6
D		2	2½	2½	3	3	3	3	3

BASE RING DATA



TANK DIAMETER		24	30	36	42	48	54	60	72
A		7	7	7	7	9	9	9	9
B		18	24	30	36	42	48	54	66
C		3	3	3	3	3	3	3½	3½
D		4	4	4	4	4	4	5	5